

High accuracy pressure transmitter capsule



Performance

Pressure range(FS)	0.4~70 bar
Accuracy(nonlinearity+hysteresis+repeatability)	±0.1% FS
Zero offset(@25°C)	±0.5% FSO
Zero stability(typical)	±0.2% FS/year
Span stability(typical)	±0.1% FS/year
Insulation resistance(@250V)	>50MΩ

Environmental

Operate temperature	-40 to 125°C
Compensated temperature	-10 to 70°C
Overload	>2 * FS
Overload(70 bar only)	>1.5 * FS
Shock limit	100 g, 11ms pulse
Media	#316L SS compatible
Housing	#316L SS
Pressure port	O-ring Seal
Electrical connection	Ribbon Cable

Features

- Oil filled MEMS base
- Range: 0.4 to 70 bar
- Wide supply voltage compatible
- ASIC amplified & compensated
- EMC protection
- Ø19 standard mounting size
- Total error band<0.50%(typical)
- Compatible with corrosive media

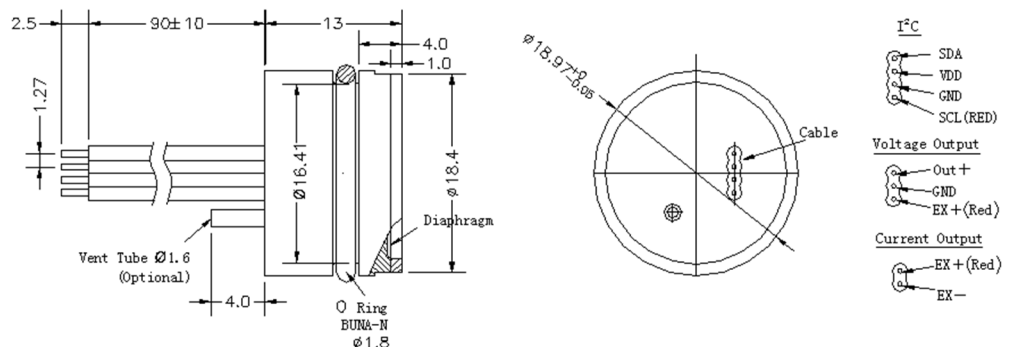
Total error band including: Zero, Span, Non-linearity, Temperature error within compensated temperature range.

EMC: EN55022:ClassA&B; Meet IEC61000-4-2; IEC61000-4-3; IEC61000-4-4; IEC61000-4-5; IEC61000-4-6; IEC61000-4-9

Output type	B (Ratiometric)	C (4~20mA)	G (0~5VDC)
Supply Voltage	4.75 ~ 5.25 VDC	8 ~ 30 VDC	8 ~ 30 VDC
Output	0.5 ~ 4.5 VDC	4 ~ 20 mA	0 ~ 5 VDC
Supply Current	< 3 mA	< 30 mA	< 3 mA
Zero Output	0.5 VDC	4 mA	0 VDC
Full Scale Output	4.5 VDC	20 mA	5 VDC

Application

- Process Automation & Control
- Energy and Water Management
- Engine & vehicle
- Hydraulic/Pneumatic Control Systems



Ordering Information

P3420B-10BA-R

