

## M3 to BNC low noise mating cable

### Electrical

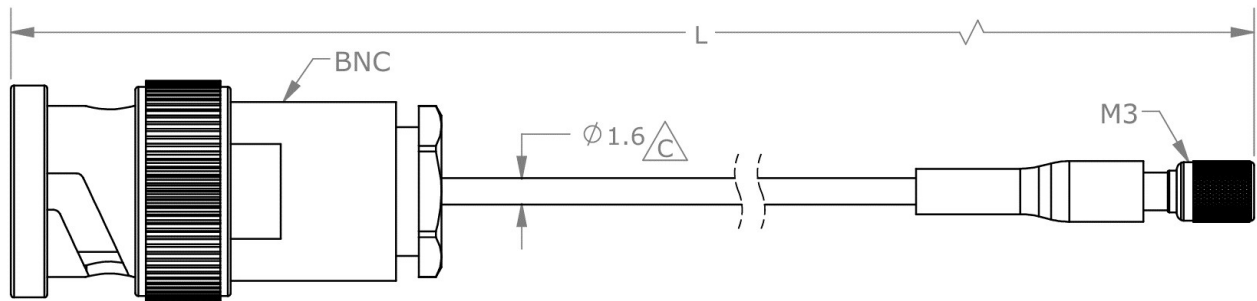
|                                               |                  |
|-----------------------------------------------|------------------|
| CAPACITANCE (CONDUCTOR TO SHIELD)@1kHz.....   | 32 pF/ft         |
| RESISTANCE (CONDUCTOR).....                   | 0.2 $\Omega$ /ft |
| INSULATION RESISTANCE (@100Vdc) .....         | >1000 M $\Omega$ |
| INSULATION RESISTANCE @+100° C (@100Vdc)..... | >100 M $\Omega$  |
| NOISE(Peak to Peak).....                      | 1.5pC MAX        |

### Physical

|                                        |                      |
|----------------------------------------|----------------------|
| WEIGHT (CONNECTORS NOT INCLUDED) ..... | 3 Grams/ft           |
| BEND RADIUS.....                       | 10x Cable Diameter   |
| CABLE PULL-OUT.....                    | 20 lb                |
| COUPLING TORQUE.....                   | 1.5 (0.2) lb-in (Nm) |
| OPERATING TEMPERATURE.....             | -50 to +260° C       |
| SHOCK LIMIT.....                       | 5000 g               |

### Features

- Easy plug and play
- Low noise conductor
- Durable cable
- Strong cable assembly
- Reliability connector



### Ordering Information

