

Tri-axial vibration velocity transmitter

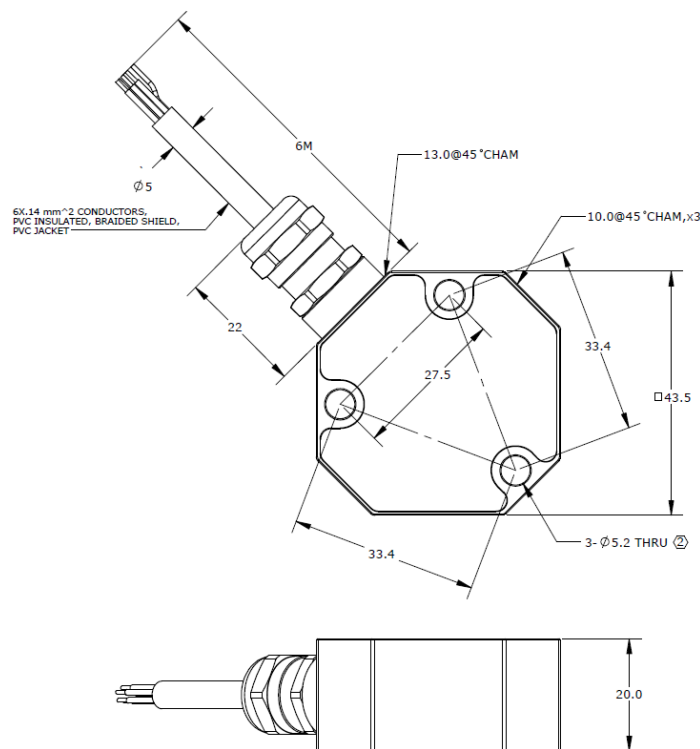


Features

- RMS velocity output
- 4-20mA current signal
- Hermetic seal
- Case isolated
- Tri-axial output
- Shock resistance

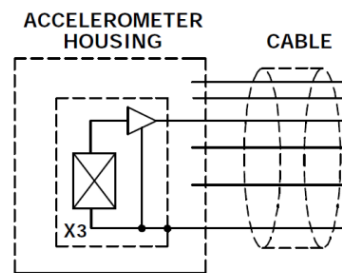
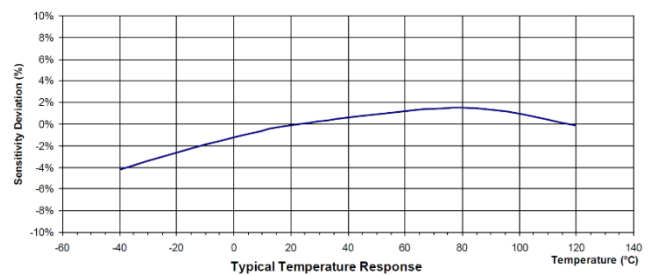
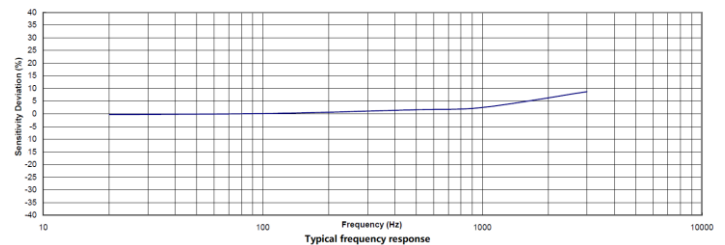
Application

- Blowing machine
- Gear box monitoring
- Bearing detection
- High speed train bogie



Description

Model 332V is an industrial vibration sensor with RMS velocity output by 4-20mA signal. 332V features an annular shear ceramic crystal which exhibits excellent output stability over time. The accelerometer incorporates an internal circuit with in a two-wire system which transmits the 4~20mA current velocity output through the same cable that supplies the voltage excitation. Signal ground is internal shielded and isolated from the outer case of the unit. Polarity inversion protection for the amplify circuit is inherent in the circuit design. The anodized aluminum case construction provides a hermetic and isolated housing. The standard integrated cable provides long-term stability over the operating temperature range. In addition to adhesive mounting, 332V has 3xØ5.2 through holes for screw mounting on the test object. The 332V provides wide frequency response and shock resistance, which is ideal for industrial vibration monitoring under incidental shock environment.



线缆
线芯功能表

- 白色 = 电源+ (X)
- 棕色 = 电源- (X)
- 黄色 = 电源+ (Y)
- 绿色 = 电源- (Y)
- 灰色 = 电源+ (Z)
- 粉色 = 电源- (Z)

Ordering information

332	V	-	1	-	3
Model	Output signal	-	Range	-	Cable length
332	V=Velocity RMS signal by loop current output	-	1=1in/sec=25.4mm/sec RMS 2=2in/sec=50mm/sec RMS	-	3=3 meters

