

Long stroke LVDT position transducer



Sensitivity, $\pm 10\%$, 24°C.....	9.8 mV/V/mm
Measuring range(mm)	± 76.2
Nonlinearity(@50% Stroke).....	<0.15% Max.
Nonlinearity(@100% Stroke).....	<0.25% Max.

Electrical

Power excitation(@2.5KHz)	3 Vrms
Input Impedance.....	<315 Ω
Output Impedance.....	>830 Ω
Insulation resistance(@500Vdc).....	>10 M Ω
Null voltage.....	<0.5% FSO
Repeatability.....	<0.15%
Output at stroke ends.....	750 mV/V

Environmental

Temperature range.....	-55 to 125°C
Operation humidity.....	<85% R.H
Shock limit.....	1,000 g peak
IEC 60529 rating.....	IP61

Physical

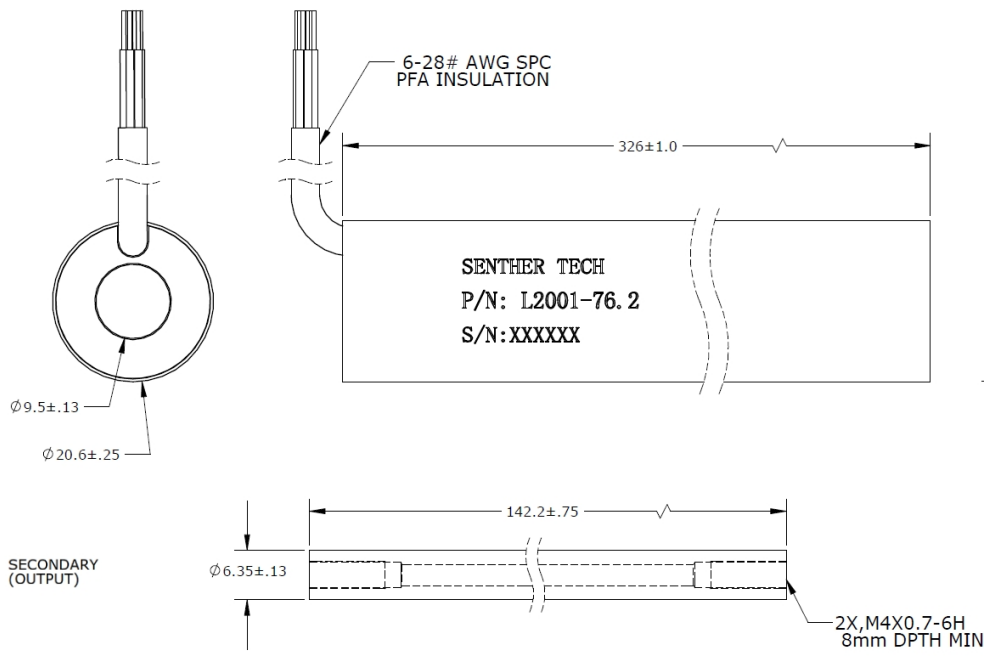
Sensing element.....	LVDT
Output cable(28# AWG).....	PFA Insulation
Case material.....	Stainless steel

Accessories

Calibration certificate
 Core: mounting hole -M is M4 thread, -IN is #6-40 UNF thread

Features

- High Resolution
- High output signal
- Shock resistant
- Compact size
- Long measure range
- Reliability package



Ordering Information

